

# Pumper Scent

## For All Pumps

**MASPORT**  
VACUUM PUMP SYSTEMS

**Masport Pumper Scent is guaranteed** to effectively remove foul odors when pumping grease traps, septic tanks and portable toilets.

The Pumper Scent product, when used in combination with our vaporization unit, provides complete odor control. The vaporization process uses the heat of the vacuum pump exhaust air to evaporate the essential oils, creating an odor-neutralizing vapor. This vapor is infused into the air through a specially designed chamber.

### Masport quality and performance

- ▶ **Composed of natural essential oils**
- ▶ **Biodegradable and non-toxic**
- ▶ **Available in 1-Gallon Pails**  
Part # 15618
- ▶ **Available in 5-Gallon Pails**  
Part # 15619



# Pumper Scent

For All Pumps

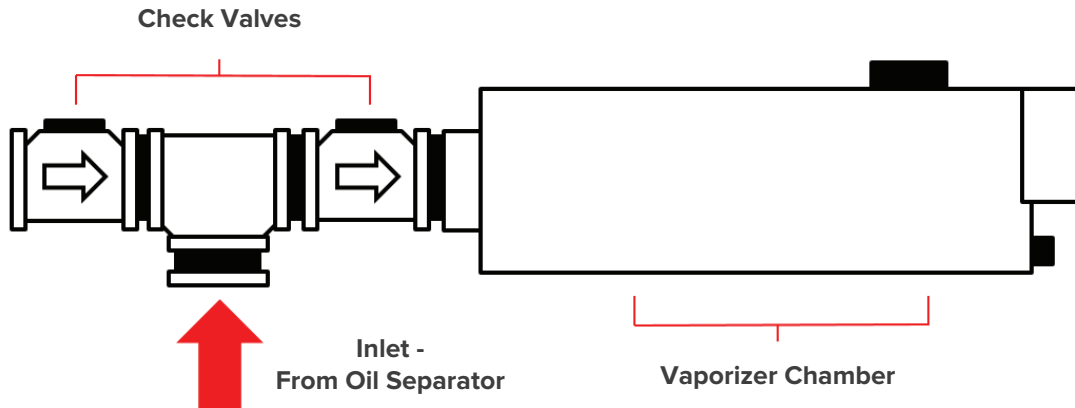


BUILT FOR THE HARD WORKING PUMPER

# Pumper Scent

## Dimensional Data

### Mount Pumper Scent Vaporization Units



Code	Plumbing Size	Dimensions	CFM
15613	1 1/2"	6" x 6" x 20"	<180
15625	2"	6" x 6" x 20"	<180
15611	3"	8" x 8" x 24"	<450

### Pour refill through 2" fill port located on top of the Vaporizing Unit

